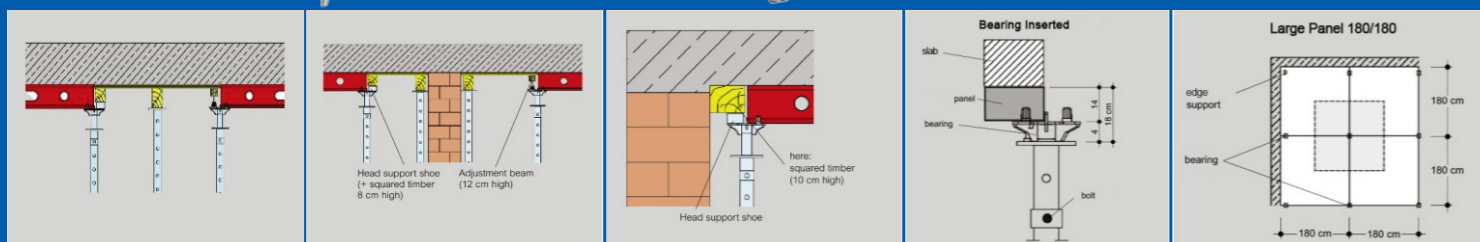
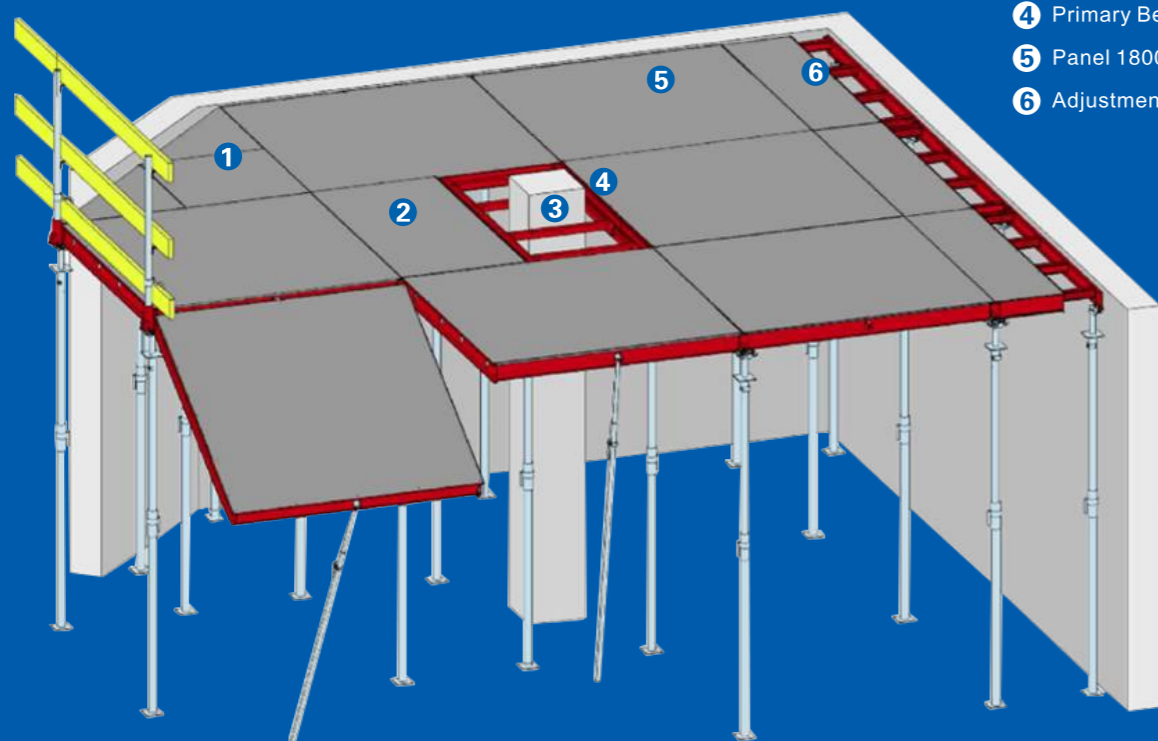


▶ Legend Analysis

- ❶ Panel 900mmx900mm
- ❷ Panel 900mmx1800mm
- ❸ Transverse Beam (Steel+Plywood)
- ❹ Primary Beam (Aluminum)
- ❺ Panel 1800mmx1800mm
- ❻ Adjustment Panel



# KITSEN DECKFORM ALUMINUM SLAB FORMWORK SYSTEM



[www.kitsen.com](http://www.kitsen.com)



**KITSEN®**

KITSEN Formwork and Scaffolding Technology Co., Ltd

Add: Kitsen Industrial Park, Beiguan Town, Yangjiang, Guangdong, China.

Zip: 529931

Tel: +86 662 6698891

Fax: +86 662 6698800

E-mail: [info@kitsen.com](mailto:info@kitsen.com)

Web: <http://www.kitsen.com>

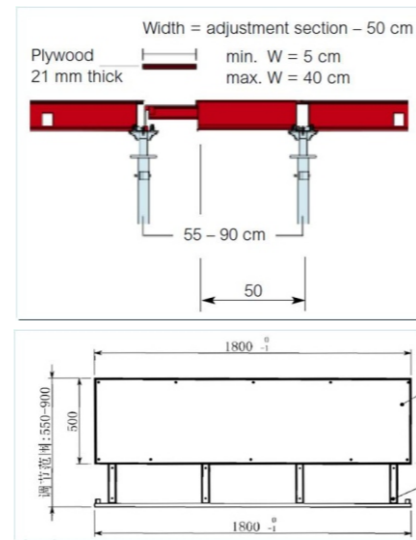
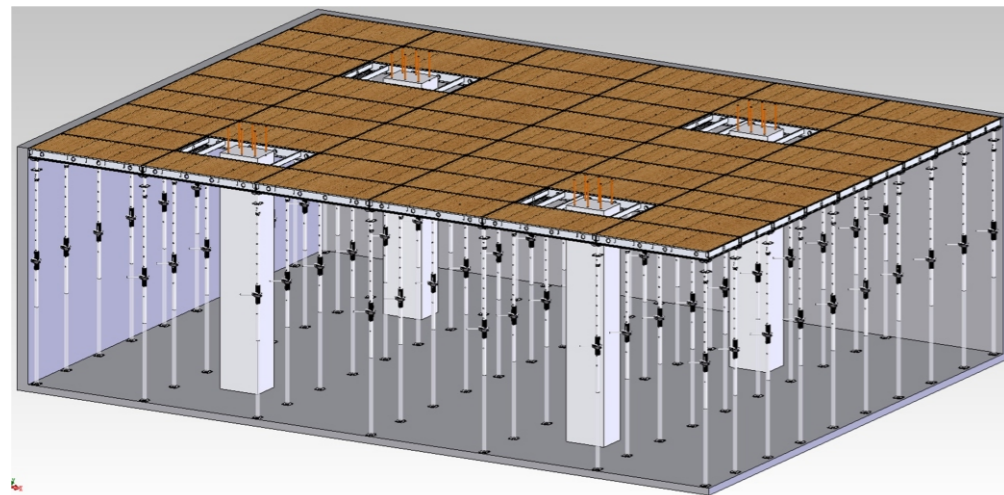
### Kitsen Deckform System Features:

- ✓ Faster forming of slabs due to the large panel 1.8 x 1.8 m with a 3.24 m<sup>2</sup> forming area
- ✓ Aluminum profile makes light weight. The biggest panel of 1.8x 1.8m is 48.3kg
- ✓ Low crane use
- ✓ Up to 300mm slab thickness
- ✓ Easy erection, few system parts (prop + panel) , only 3 steps, hook on – push up – prop it

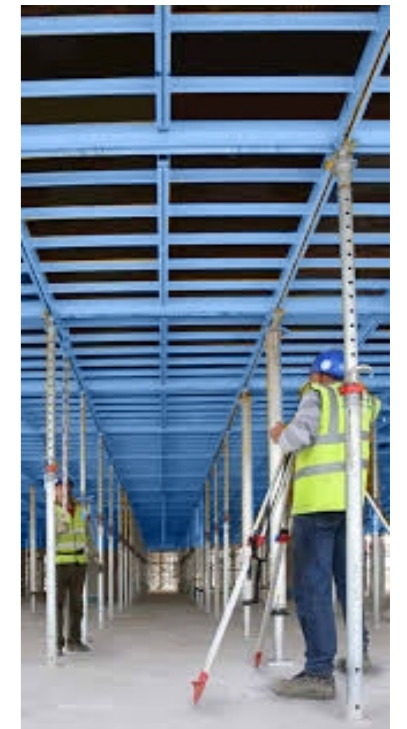
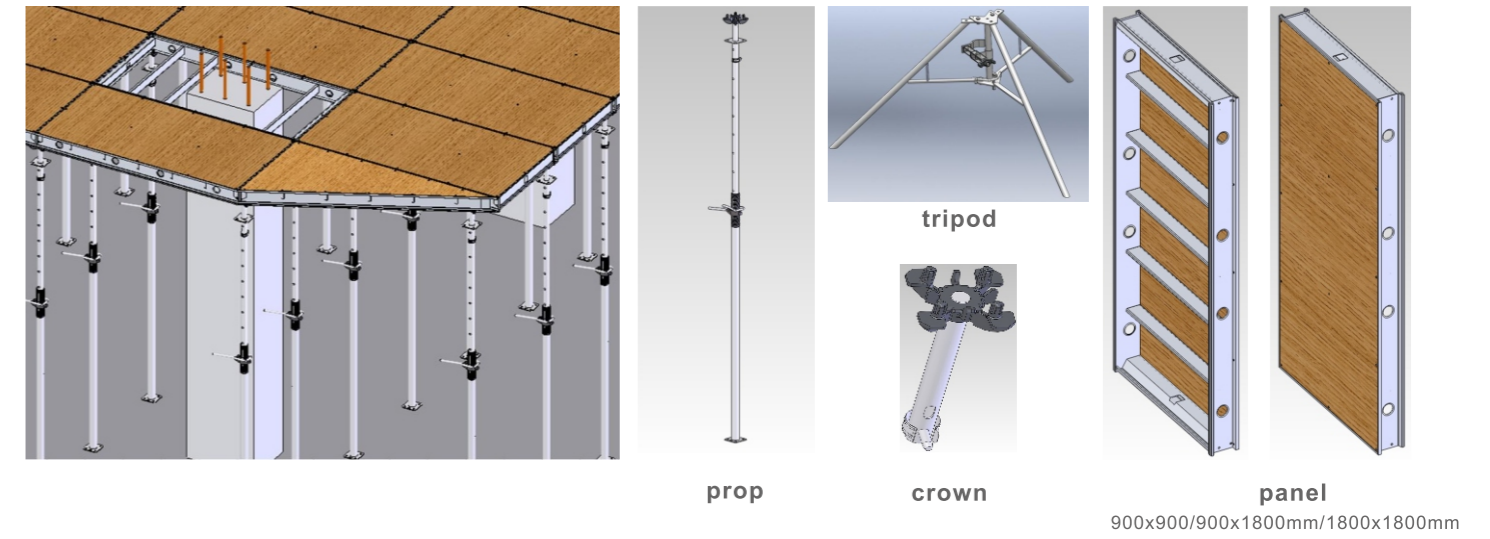


### Width adjustment panels 90/180

The adjusting width of the panel varies from 55cm to 90cm. Only a plywood strip has to be cut to size(21mm thickness)



### Basic Components



### With transverse beam

Shuttering around concrete columns are made simply by using primary t beams and transverse beams.



Transverse Beam ( Steel+Plywood )

Primary Beam ( Aluminum )

